



ADEN M&E PTE LTD

(Co. Reg. No.: 202010794G | GST. Reg. No.: 202010794G)

1 Soon Lee Street, #03-01 Pioneer Centre,

Tel: 6992 2743, Fax: 6721 9243, H/P: 8321 4226

Singapore – 627605

Email: justin@adenme.com

Website: www.adenme.com

SS – DRIP TRAY

STAINLESS STEEL DRIP TRAY





ADEN M&E PTE LTD

(Co. Reg. No.: 202010794G | GST. Reg. No.: 202010794G)

1 Soon Lee Street, #03-01 Pioneer Centre,

Tel: 6992 2743, Fax: 6721 9243, H/P: 8321 4226

Singapore – 627605

Email: justin@adenme.com

Website: www.adenme.com

CONTENTS

1. Introduction
2. Typical Structure
3. Usage of Stainless-Steel Drip Tray
4. Product Specifications





ADEN M&E PTE LTD

(Co. Reg. No.: 202010794G | GST. Reg. No.: 202010794G)

1 Soon Lee Street, #03-01 Pioneer Centre,

Tel: 6992 2743, Fax: 6721 9243, H/P: 8321 4226

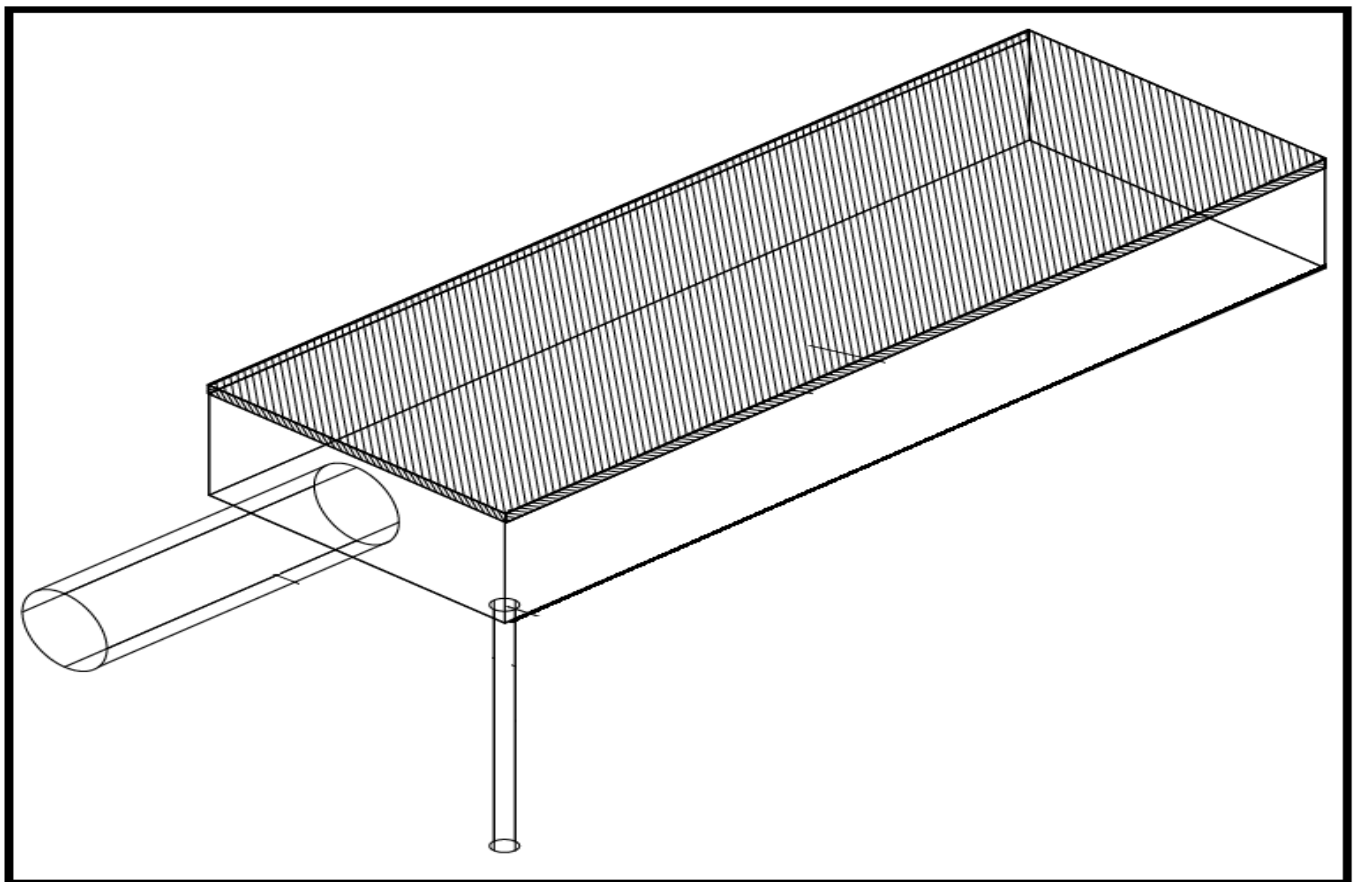
Singapore – 627605

Email: justin@adenme.com

Website: www.adenme.com

Stainless steel Drip trays

SS-Drip Trays are mainly used in Public – Using Areas like Food Court, Walkway, etc. to prevent the public from water dropping from Drain Pipe, Sewage water Pipe or Hydraulic Pipe.





ADEN M&E PTE LTD

(Co. Reg. No.: 202010794G | GST. Reg. No.: 202010794G)

1 Soon Lee Street, #03-01 Pioneer Centre,

Tel: 6992 2743, Fax: 6721 9243, H/P: 8321 4226

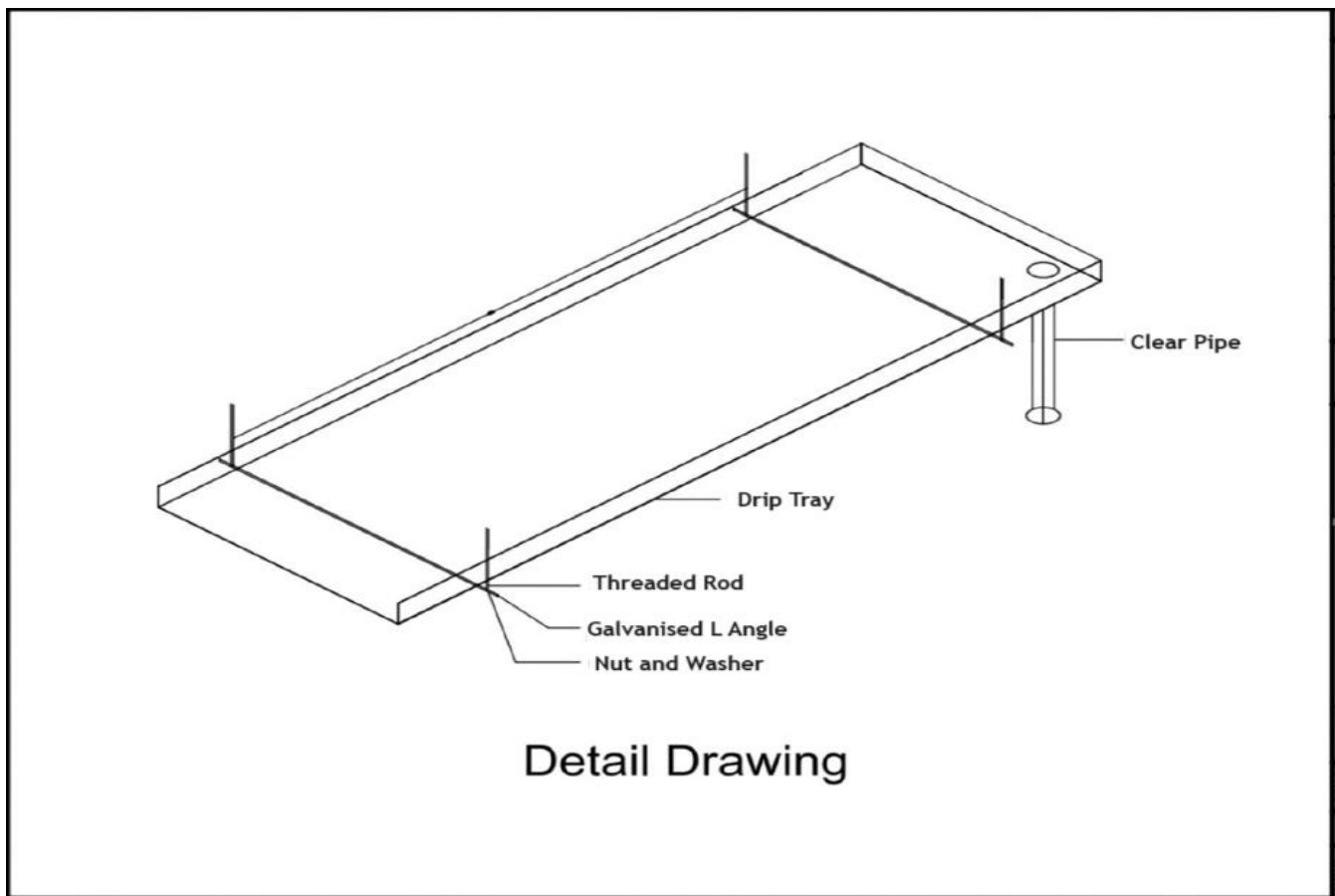
Singapore – 627605

Email: justin@adenme.com

Website: www.adenme.com

Structure of Stainless-Steel Drip Tray

1. Drip Tray is fixed 100mm or as required from the bottom of the pipe.
2. The Required pipe i.e. SWP, Hydraulic Pipe or Drainage pipe will be pass through the Drip Tray.
3. Drip Tray is fixed slope-ly towards the outlet.
4. At the end Drip Tray funnel will be attached.
5. Through downpipe will be connect to the drainage.





ADEN M&E PTE LTD

(Co. Reg. No.: 202010794G | GST. Reg. No.: 202010794G)

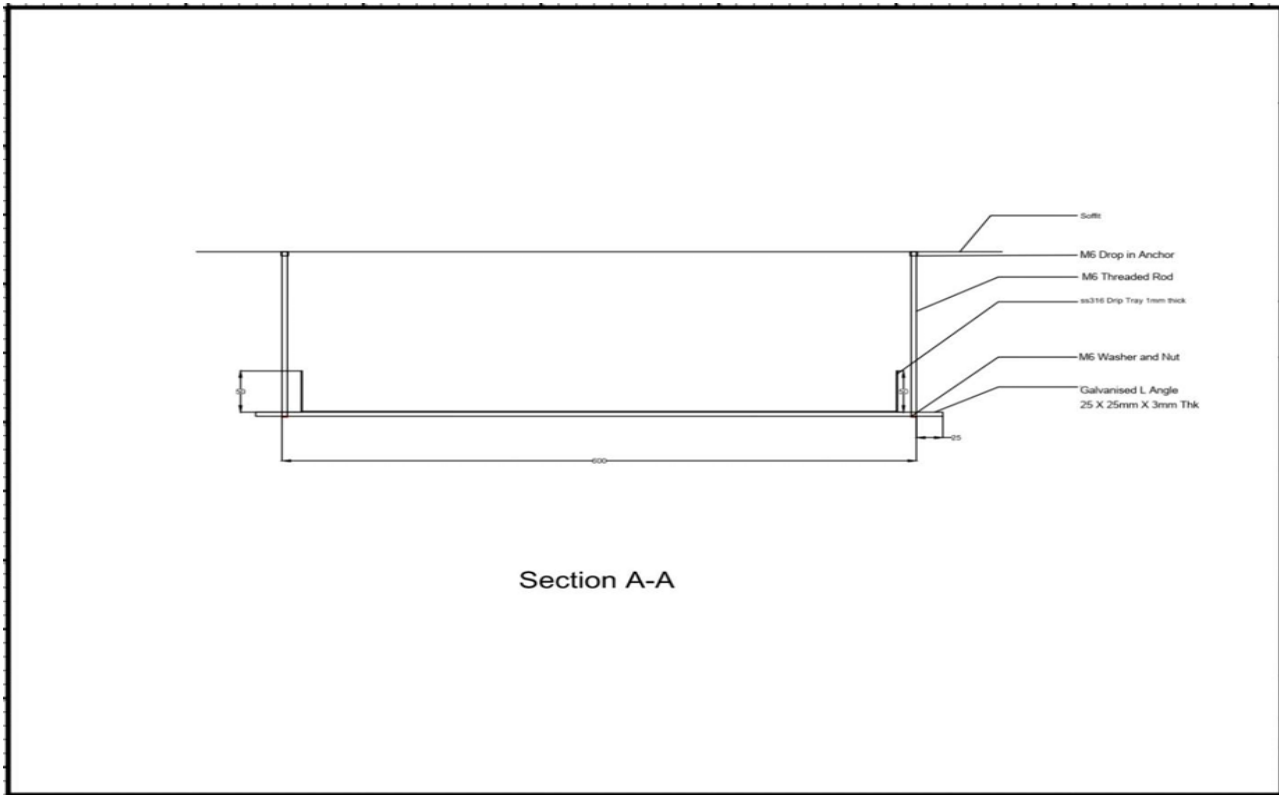
1 Soon Lee Street, #03-01 Pioneer Centre,

Tel: 6992 2743, Fax: 6721 9243, H/P: 8321 4226

Singapore – 627605

Email: justin@adenme.com

Website: www.adenme.com



Section A-A

Product Specifications

Width	50mm, 100mm, 150mm, 200mm, 300mm, 450mm, 600mm, or as customer required.
Height	15mm, 50mm, 75mm, 100mm, 150mm, or as customer required.
Length	500mm, 1000mm, 1500mm, 2000mm, 3000mm, 6000mm, or as customer required.
Thickness	0.6mm, 0.8mm, 1.0mm, 1.2mm, 1.5mm, 2mm, 2.5mm, 3mm, or as customer required.
Raw Materials	SS304, SS316

